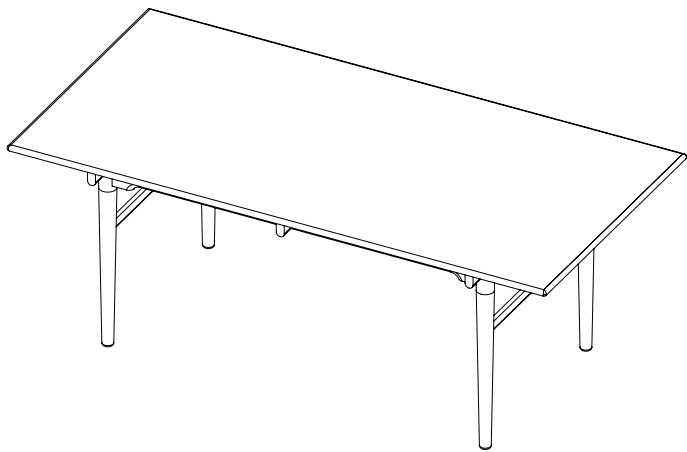


HANS J. WEGNER
CH327
ASSEMBLING INSTRUCTIONS



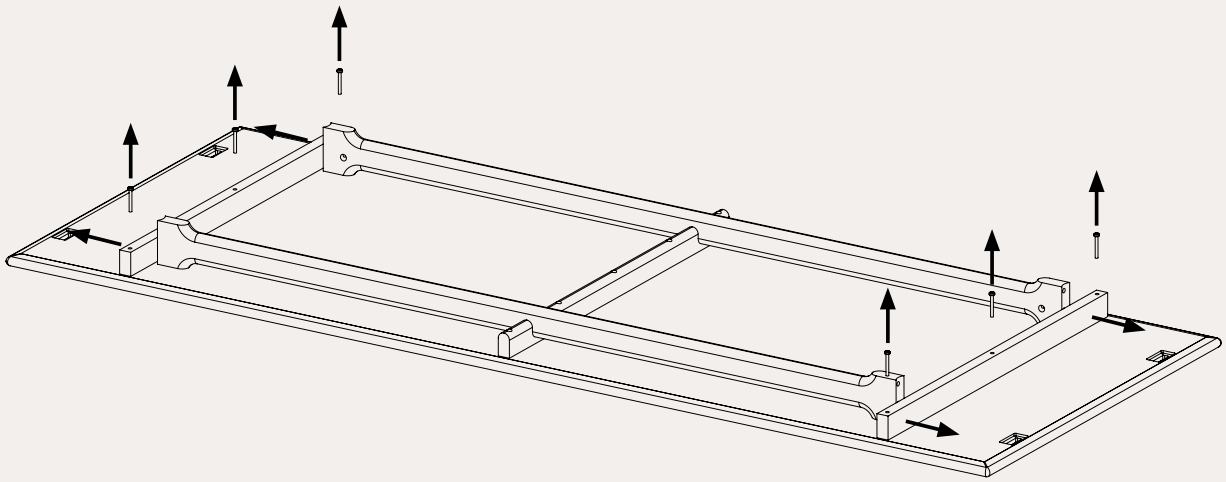
CARL HANSEN & SØN
PASSIONATE CRAFTSMANSHIP



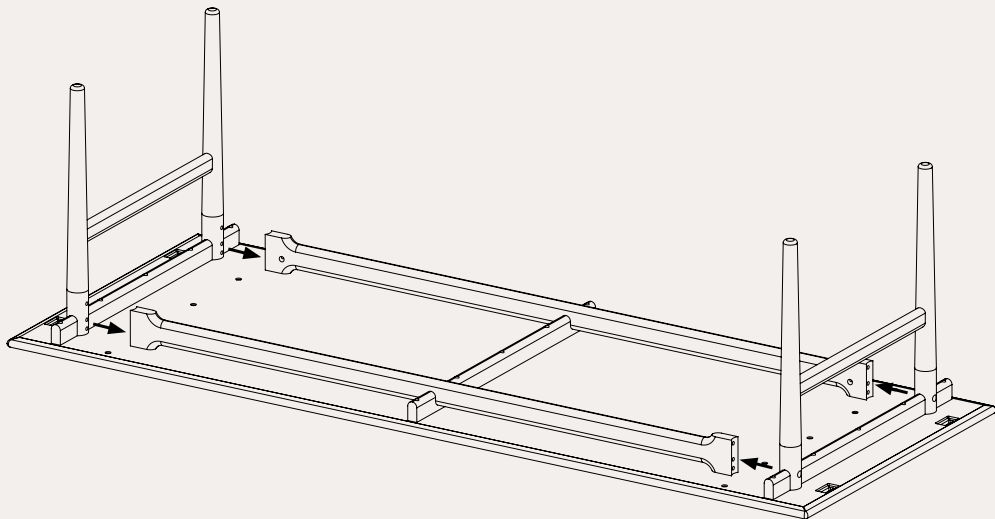
HANS J. WEGNER CH327



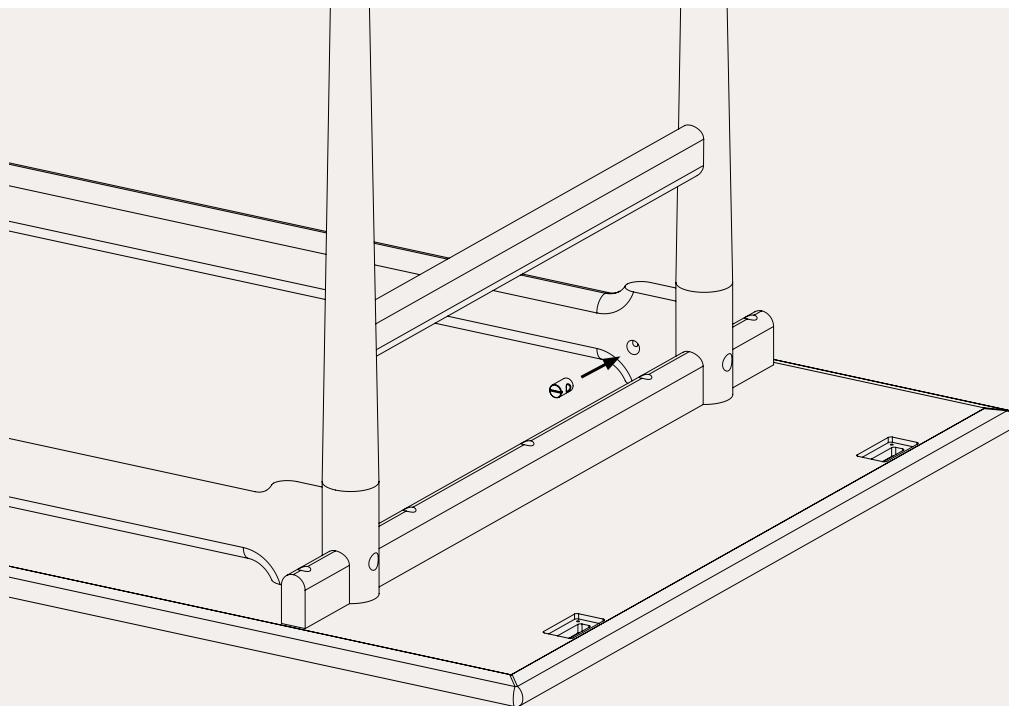
1.



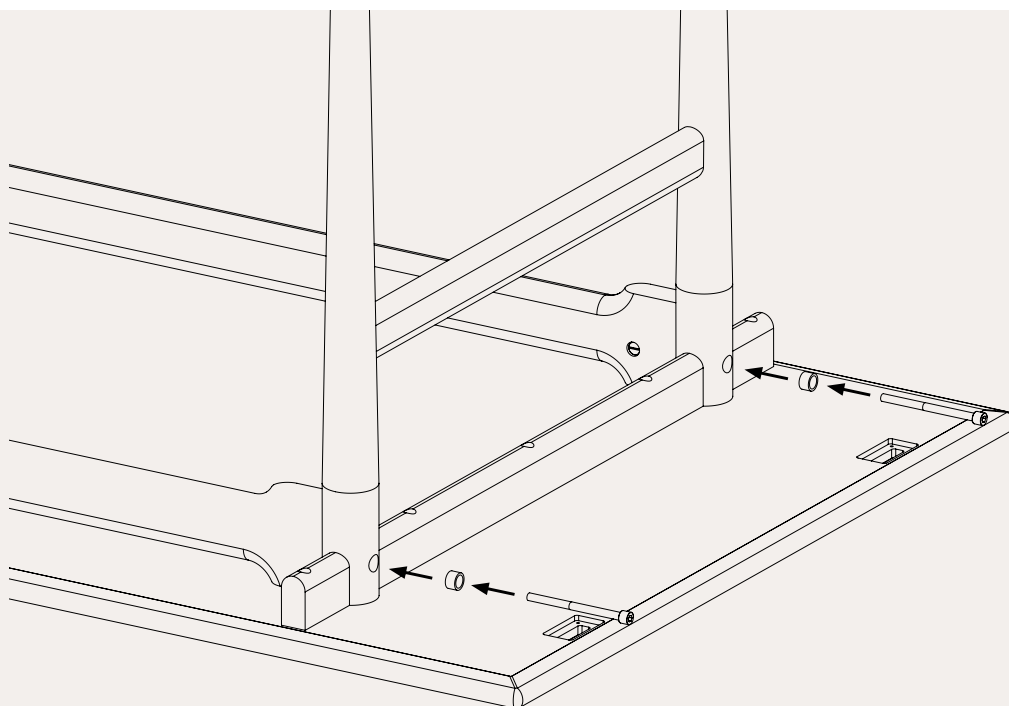
2.



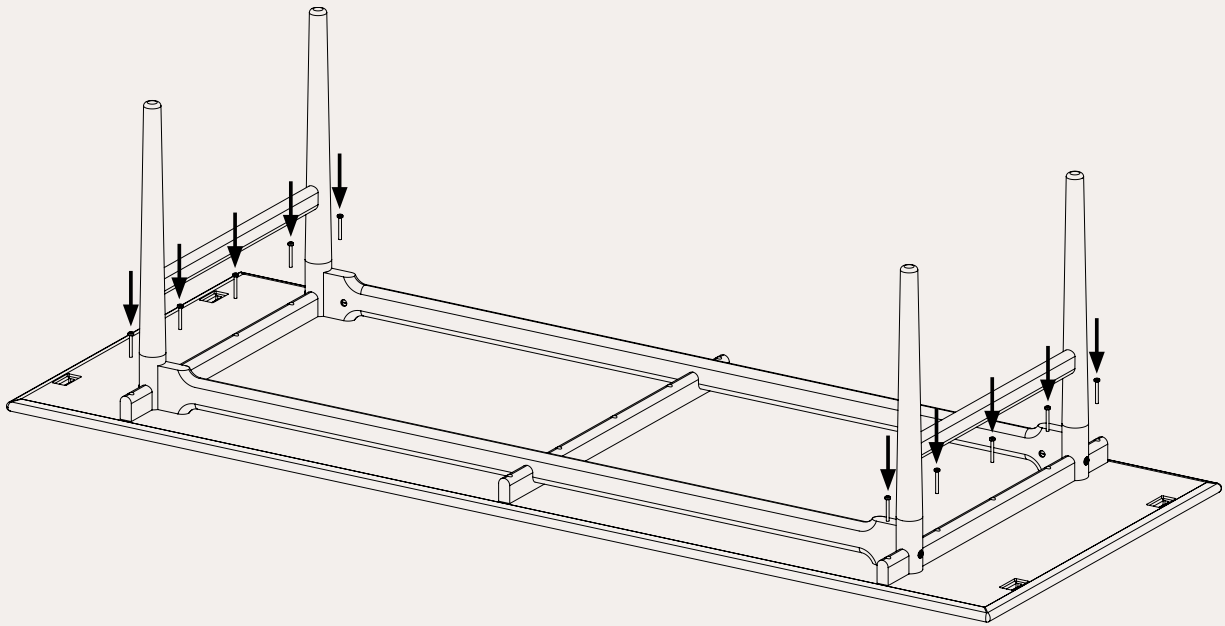
3.



4.



5.





EVERY PIECE COMES WITH A STORY

When you choose a Carl Hansen & Søn product, you gain more than just a piece of furniture.

You become part of a proud tradition of distinctive and beautiful craftsmanship, where nothing has been left to chance. Where all furniture is manufactured with great love for design and the history of the crafting process. Where each piece passes through numerous expert hands before taking pride of place in your chosen space, recounting a story of masterful design in quality wood from sustainable forrests.



CARL HANSEN & SØN
PASSIONATE CRAFTSMANSHIP