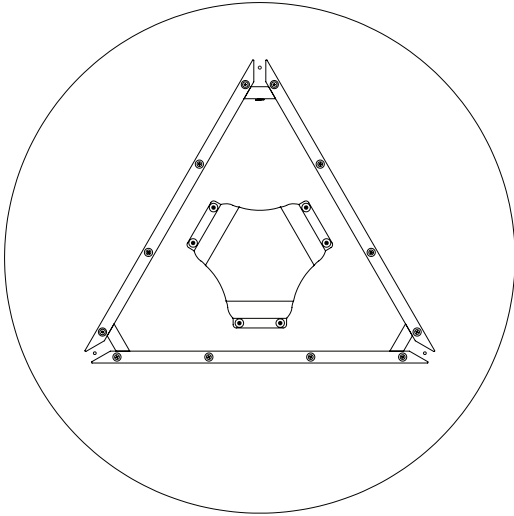


# Alle Round Media Table

by Staffan Holm

Alle Round Media Table, designed by Staffan Holm, is a generously proportioned solid oak table that features the designers trademark mix of modernity and tradition. The tables thin, rounded edges give an impression of lightness and elegance. Alle Round Media Table is ideal for any workplace: built-in compartments for media ports hide your cables elegantly, when you prepare or long work sessions.

## Packaging content



1 x Table Centre



1 x Cable Lid small  
1 x Cable Lid big



3 x Knob



3x M10 split Washer



3 x Legs



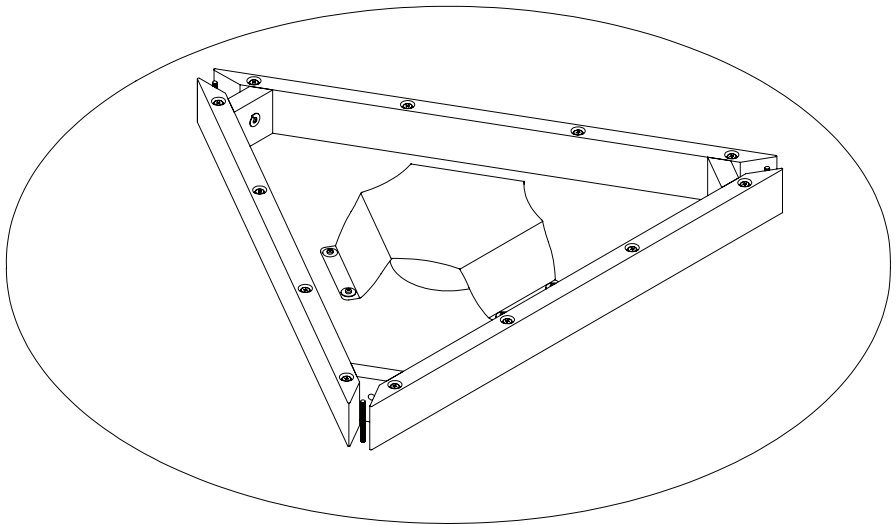
6 x M10 Washer



3 x Hem Coin Nut

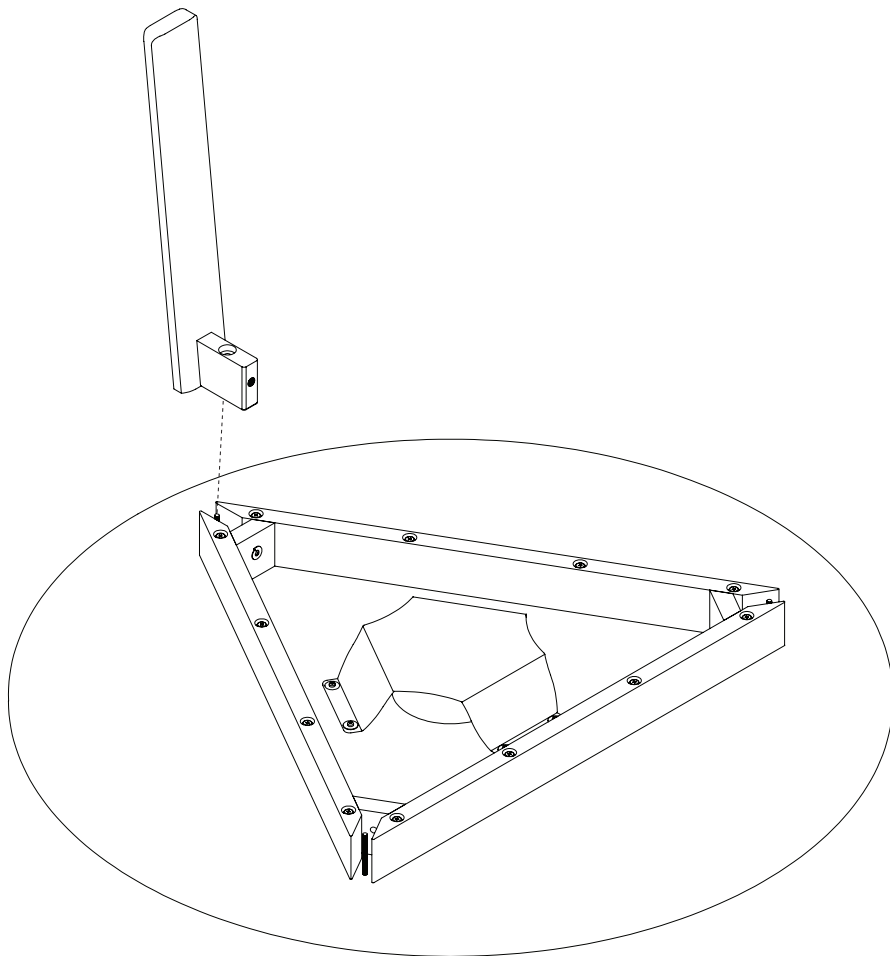
1

Place the table top on a soft surface, facing down.



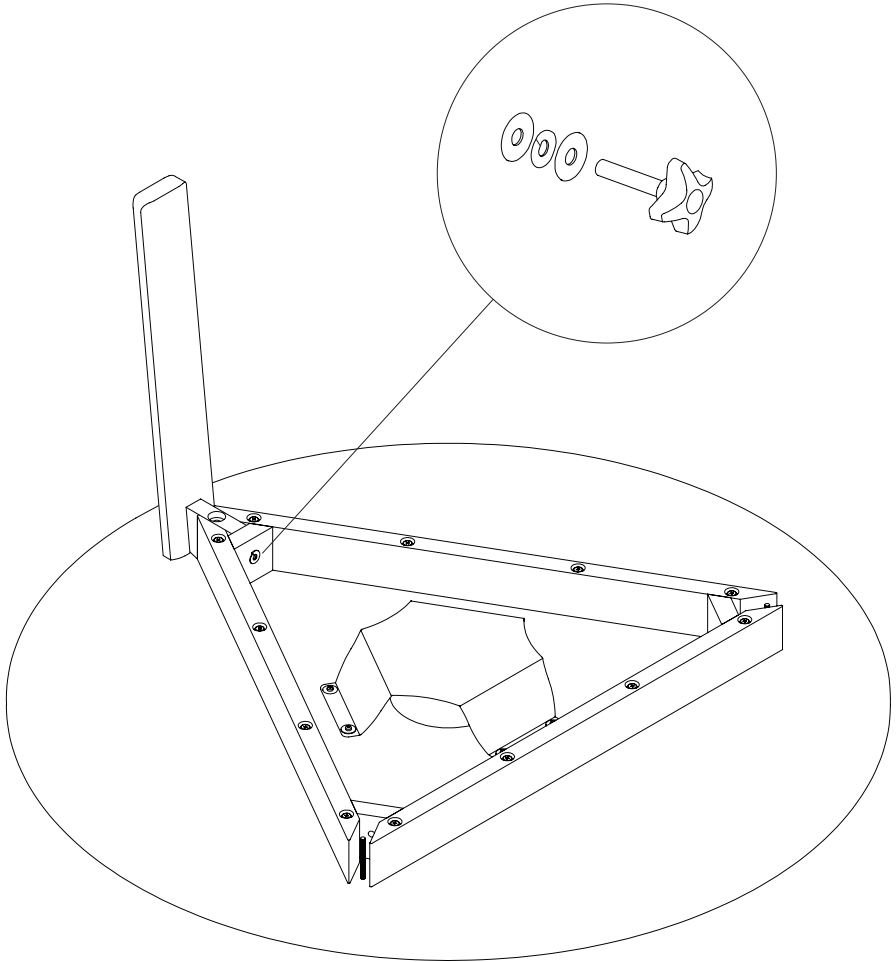
2

Take one of the legs and place it onto the hangerbolt coming out of the table top.



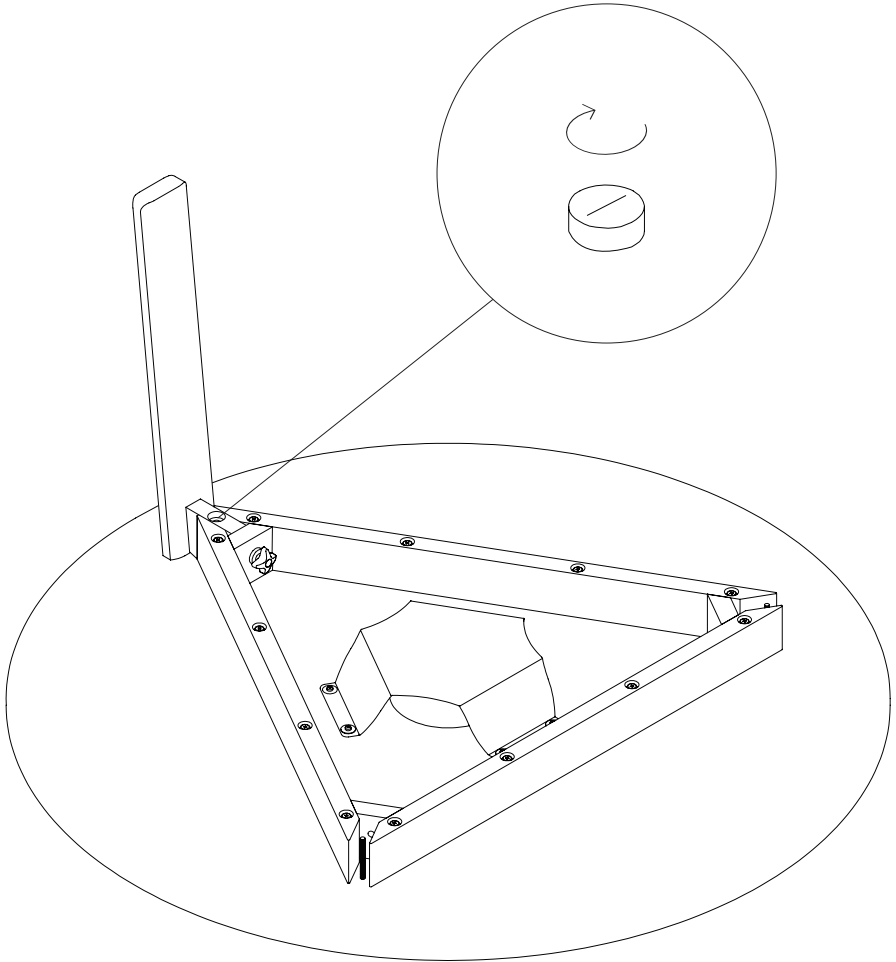
3

Thread a total of three washer onto the knob. First washer, second split washer, third washer. Insert the knob into the circular cutout and into the leg. Tighten firmly.



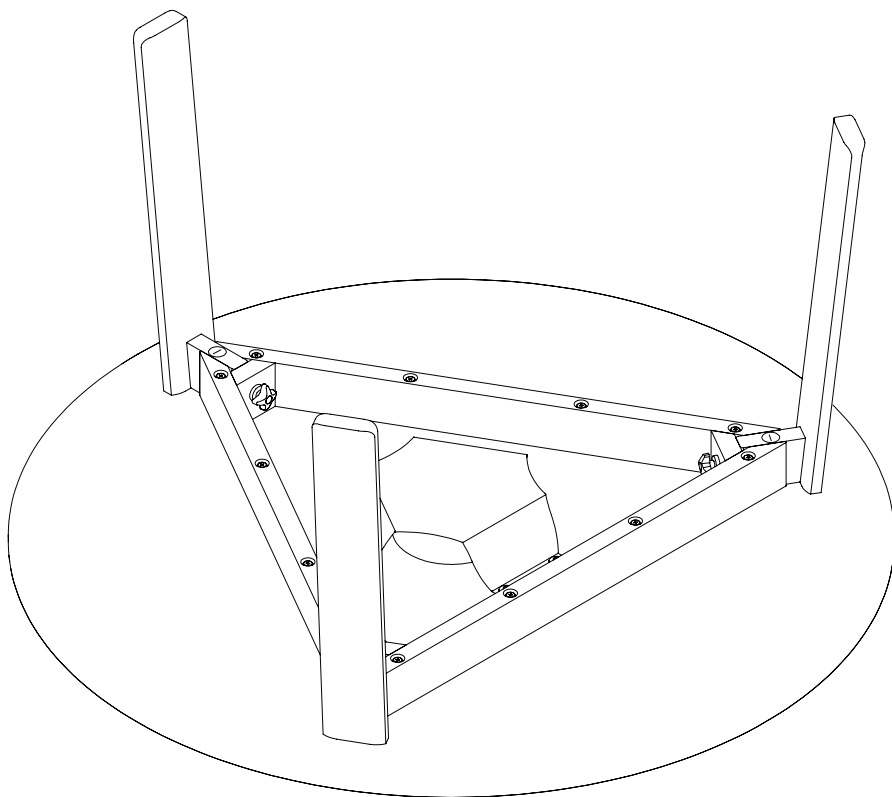
4

Take the Hem Coin Nut and work it into the leg's circular cutout.  
Take any fitting coin to tighten the nut firmly.



5

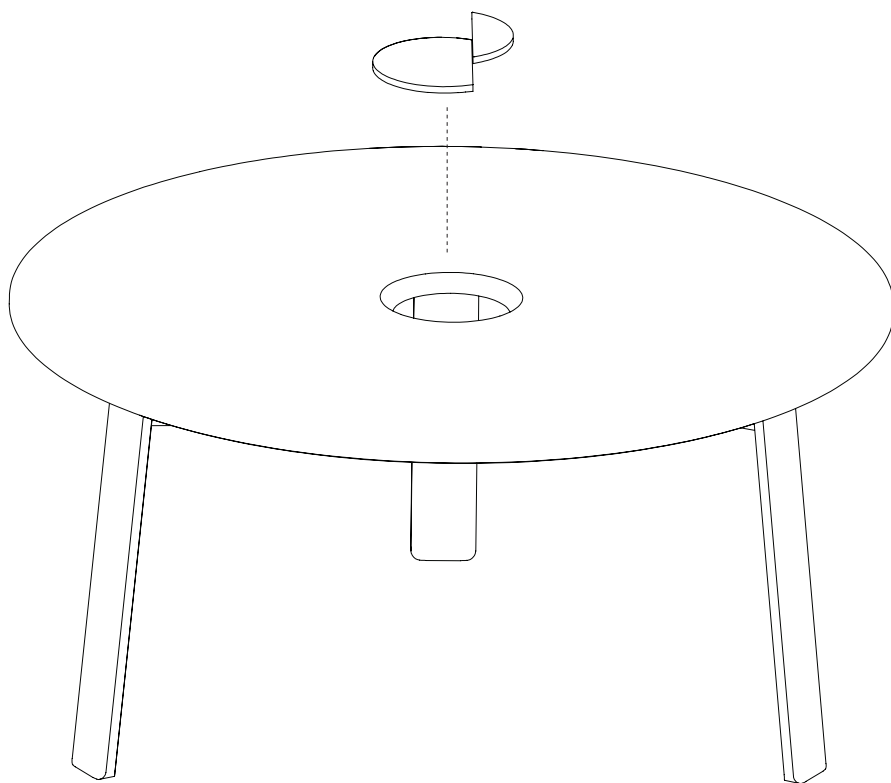
Repeat step 2 – 4 for the two other legs.





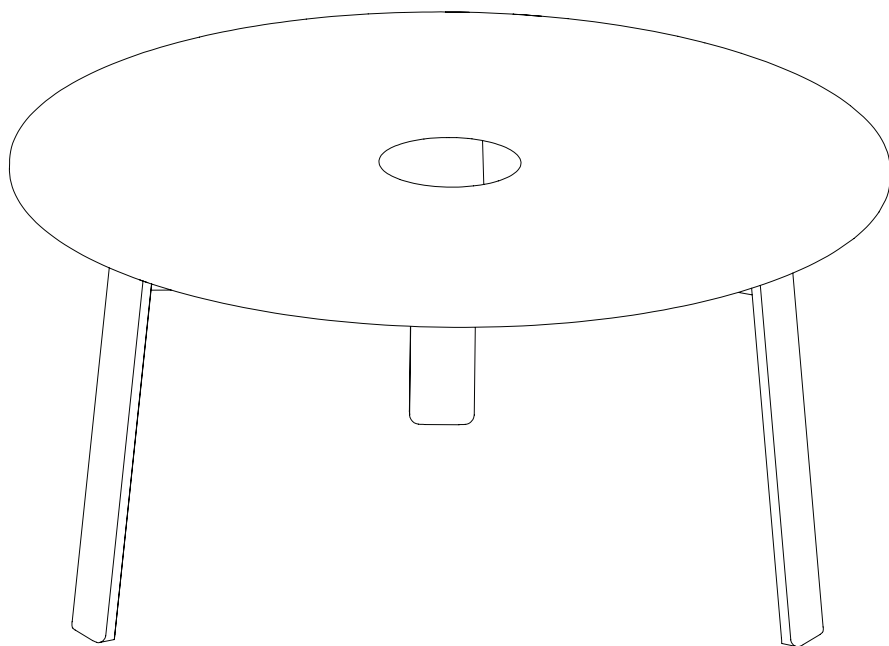
6

Flip the table and place the lids into the center hole of the table top.



7

Your Alle Round Media Table is now ready assembled.



?

Should you have any problems assembling your  
product, contact us at [info@hem.com](mailto:info@hem.com).

We're always happy to help!

**hem**

[hem.com](https://hem.com)