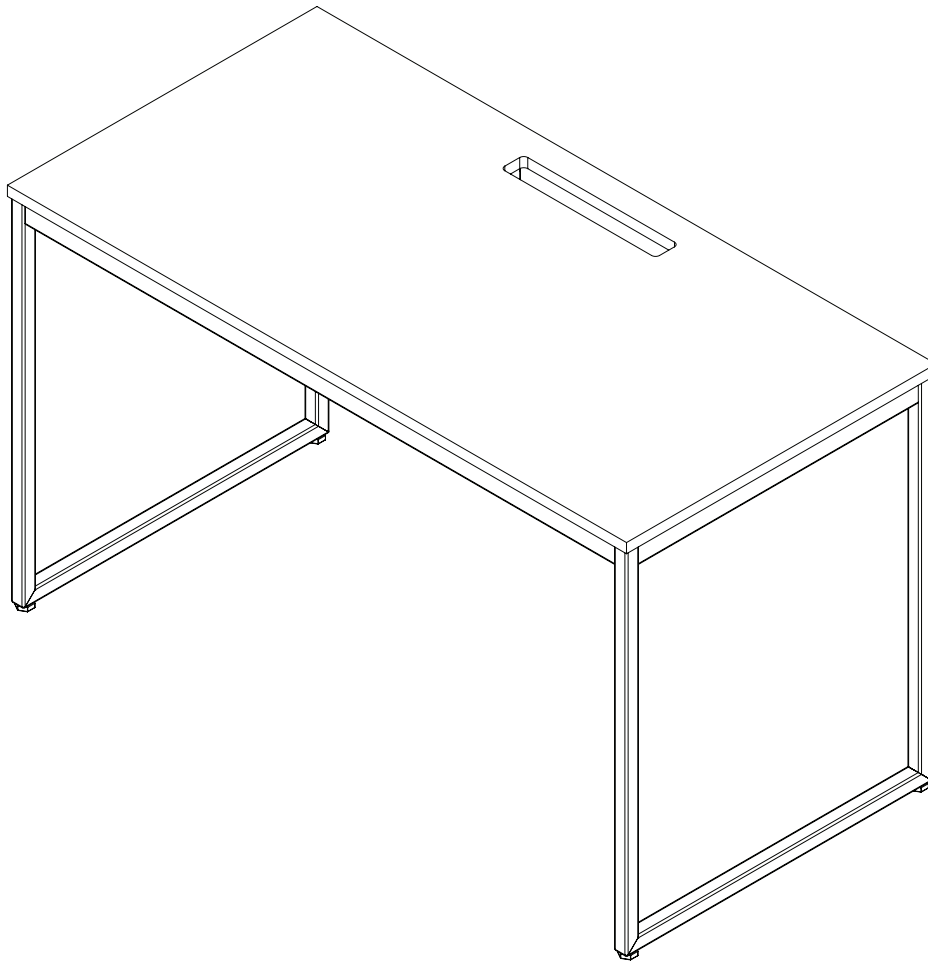


LOCK DESK



DIMENSIONS

- L30 W18 H29
- L42 W24 H29
- L48 W24 H29
- L60 W24 H29
- L72 W24 H29
- L30 W24 H29
- L42 W30 H29
- L48 W30 H29
- L60 W30 H29
- L72 W30 H29

CLEANING + CARE

Clean surfaces with a dry or damp soft cloth. Do not use abrasive, oil or chemical based cleaners. It is recommended to use coasters to protect surface from heat and water. Do not leave spills unattended.

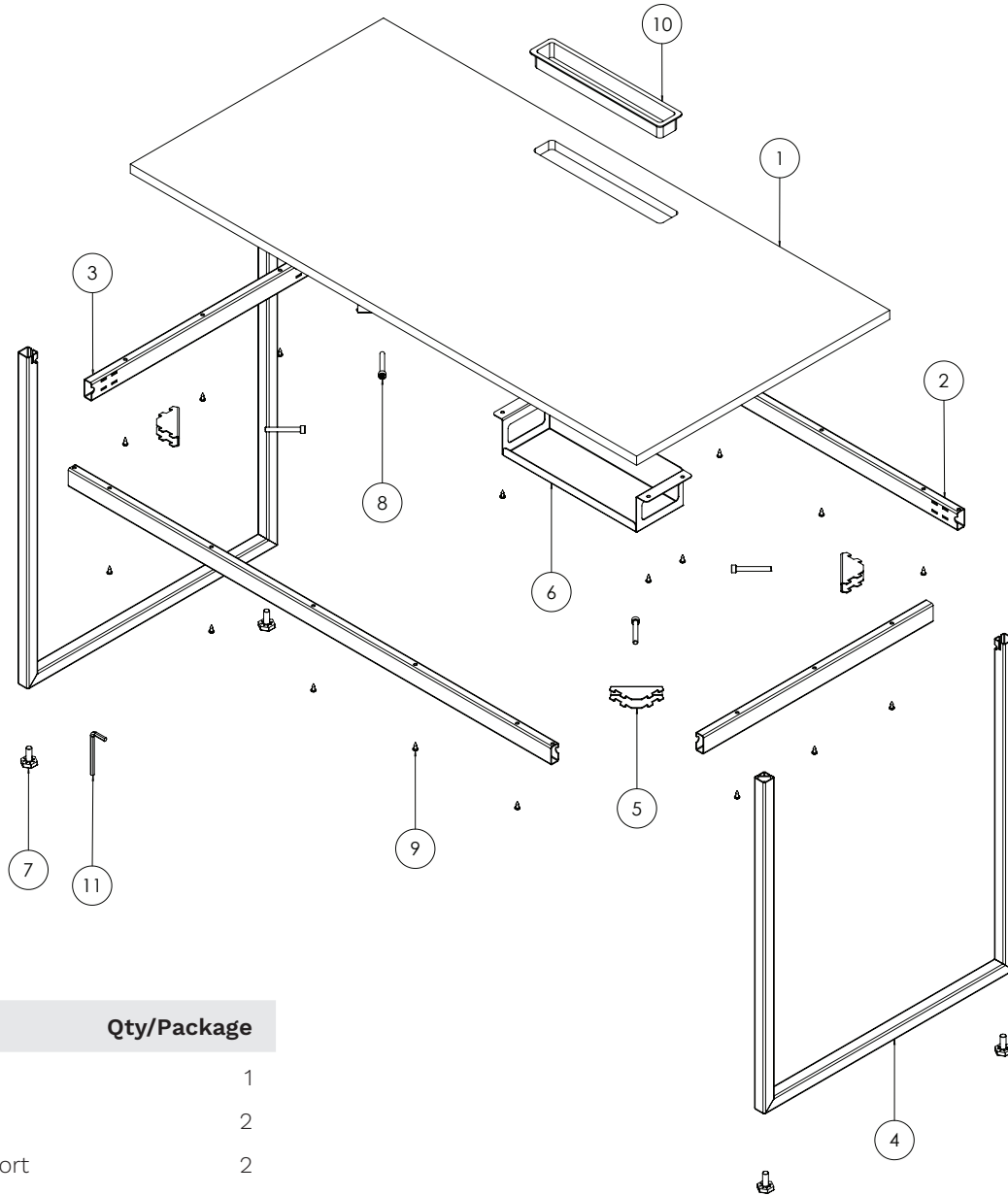
! WARNING

Serious or fatal crushing injuries can occur from furniture tip-over. To help prevent tip-over, read this entire warning.

To further reduce the risk of serious injury and death from tip-overs:

- Never stand on furniture
- Furniture intended for placement on floor
- Do not place items over 300lb on furniture

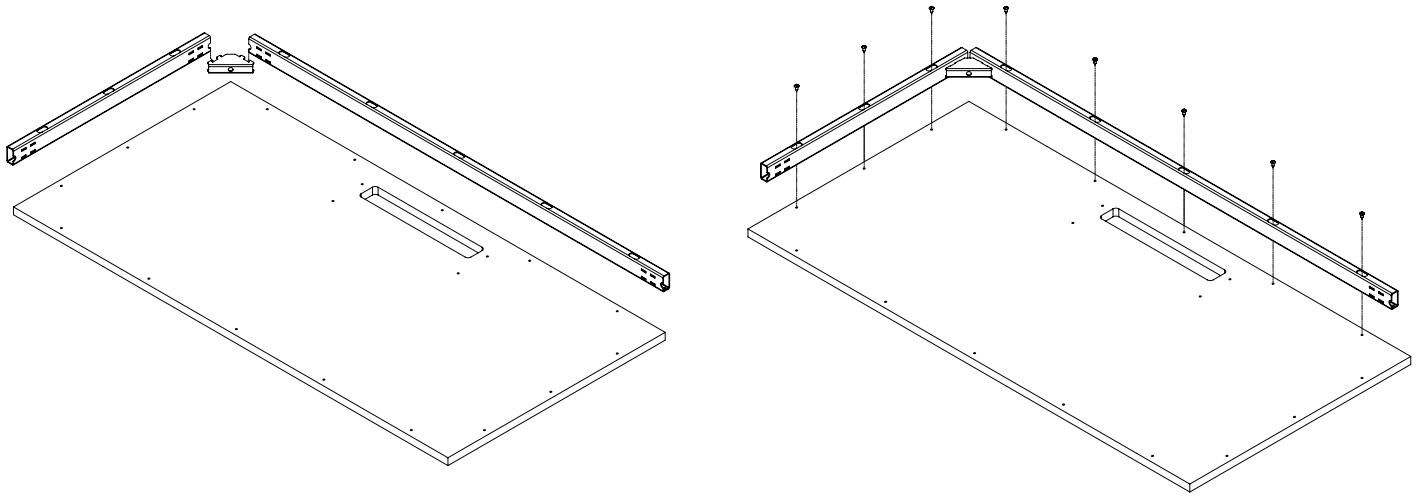
CONTENTS



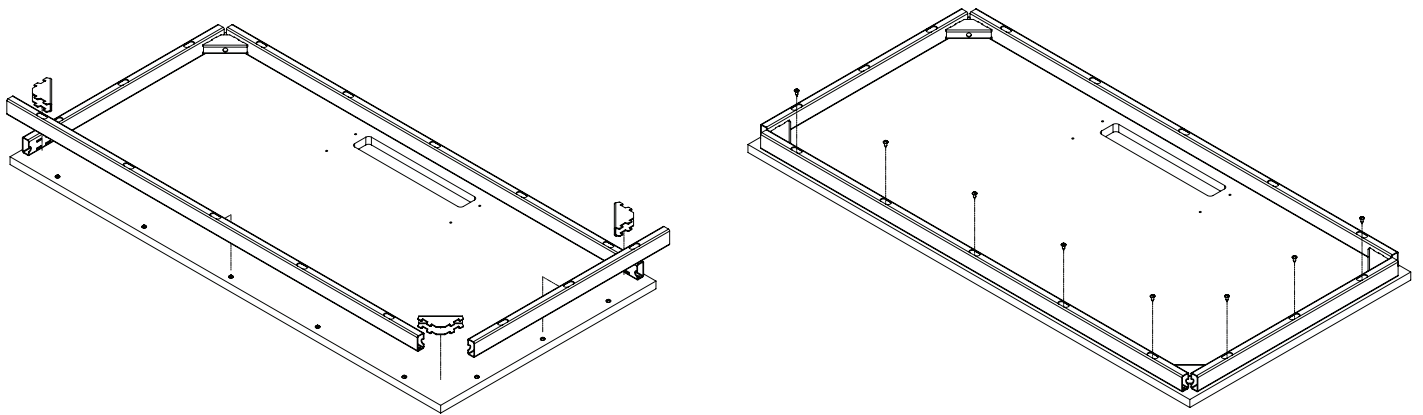
PARTS	Qty/Package
1. Work Surface	1
2. Lateral Support	2
3. Horizontal Support	2
4. End Frame	2
5. Corner Bracket	4
6. Trim Cover	1
7. Leveling Glide	4
8. M8X60mm Socket Head Bolt	4
9. #10x1/2" Wood Screw Philips	16 or 20
10. Grommet	1
11. 6mm Hex Allen Wrench	1

ASSEMBLY INSTRUCTIONS

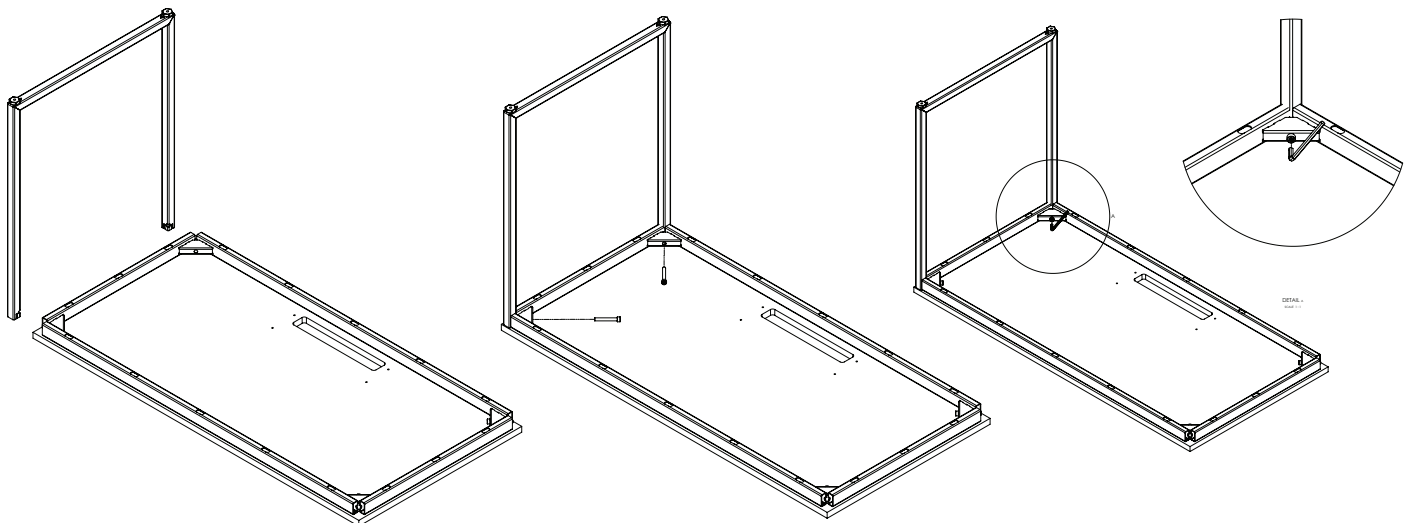
1. Lay down the lateral support #3 and horizontal support #2 and hook the corner bracket #5 before screwing down the supports with #9.



2. Repeat the same process for each corner (Unscrew and adjust as needed)

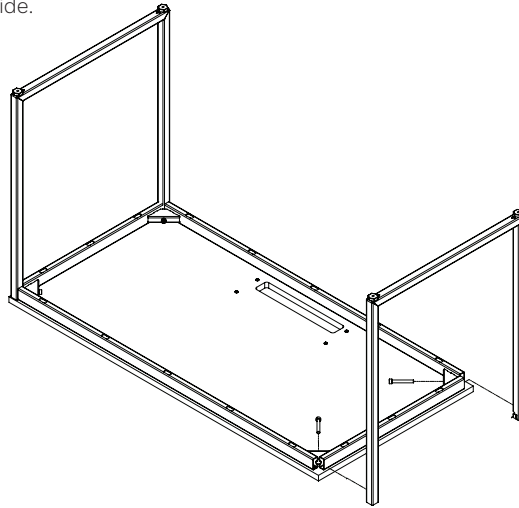


3. Align the end frame with the mounting holes on the corner brackets and fully tighten using the provided tool #11.

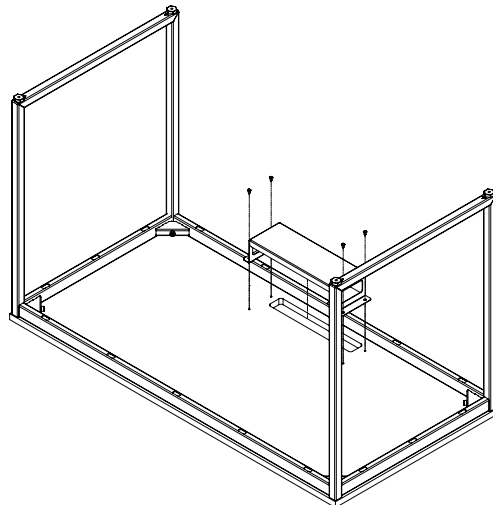


ASSEMBLY INSTRUCTIONS

4. Repeat the same process for the other side.



5. Align the cover tray over the appropriate mounting location and attach once in place.



6. Once all mounting hardware are in place and fully tighten, flip the table to its upright position and attach the grommet #10.

